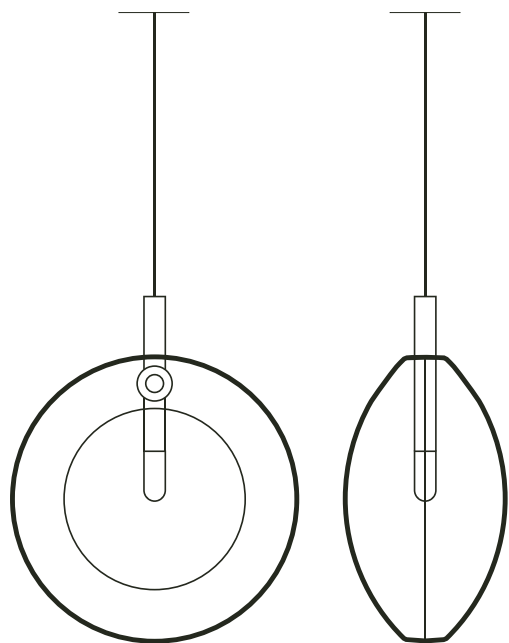


# lens

Design by  
Studio deFORM



bomma

bomma.cz

TECHNICAL SHEET  
FOR PENDANT LIGHT FIXTURES

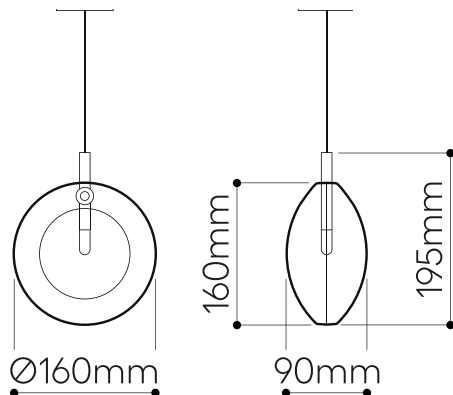
# LENS pendant without canopy

Design by  
Studio deFORM

## Handmade glass attributes

The Lens Collection is made by our in-house developed, pressed glass technology. Any small bubbles, non-melts and irregularities in the glass are both proof and a characteristic feature of this unique glassmaking process.

The glass parts of Lens are hand-painted, so the intensity of color may vary slightly.



## LIGHTING DESCRIPTION

Size	160 × 195 × 90 mm 6,2 × 7,7 × 3,5 inch
Cable	transparent 2,5–15 m (max) / 98,4–590,5 inch (max) per specific project
Weight	+ 2,5 kg / 5,5 lb
Glass	lead-free crystal in white, clear, amber, smoke, blue grey
Mounting	brushed gold (brushed brass) anthracite (brass and galvanized black nickel)
Protection	IP 20
Nominal voltage	220-240V / A.C. 50 hz (EU) 110-120 V / A.C. 60 Hz (USA)
Class	III. EU / II. USA

## LIGHT SOURCE

Type	G4, 1,2W LED, 100 lm
Base	G4 (EU) / G4 (USA)
Voltage	12V, AC
Temperature	2700 K
Color index	RA 90+
Dimming	dimnable in constellations

## TRANSFORMER

Primary	to be purchased separately for specific project
---------	---

## PACKAGING

Material	cardboard
Size	230 × 220 × 220 mm 9 × 8,6 × 8,6 inch

Origin: traditionally produced in the Czech Republic  
Intellectual property license holder: Bomma Czech Republic (EU)  
Represented by BMRC group s.r.o.

CERTIFICATES

