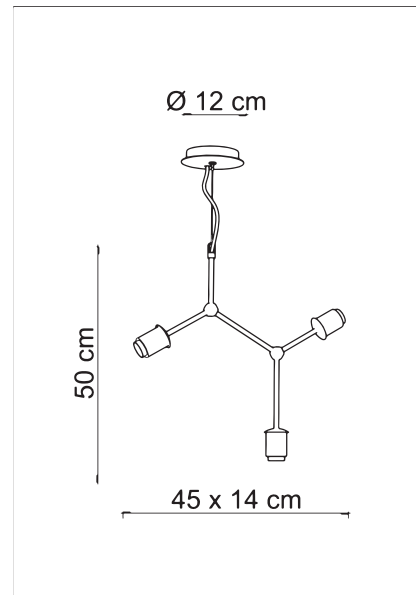


SARA/S3

Hanging lamp



Simply minimal, clean and essential.

The Sara series is born from the fusion of spherical and sinuous shapes with the modernity of the metal frame, creating a particularly attractive and decorative effect, with a strong aesthetic sense and a strong personality.

Glass available in an important range of finishes.

6251	SARA/S3 B
6824	SARA/S3 N
Power	3 x max 12W
Input	220/240 V - 50/60Hz
Lampholder	E14 - Bulb not included
IP	20

DIFFUSER SOLD SEPARATELY, CONSULT THE CATALOGUE

PACKAGING DATA :

Packages	1
Net Weight	0,7kg
Gross Weight	1,1kg
Volume	0,0150 m ³

Any interventions on the light source of this article must be carried out by qualified personnel or by the manufacturer himself.
Any operation carried out without prior consultation with Contemporanea srl will void the guarantee

CE [EAC] RoHS

MATERIAL :

Frame	Metal
Diffuser	Glass

FINISHING TABLE :

Frame	Matt White	B
	 Matt Black	N
Diffuser	 Amber	A
	 Crystal	C
	 Smoky	F
	 Gold	O
	 Copper	C